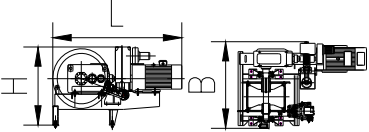
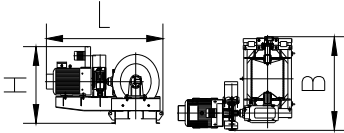
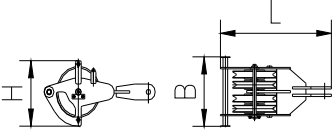
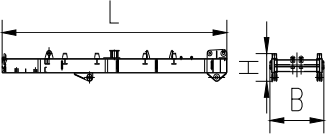
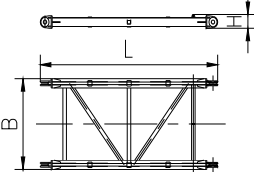
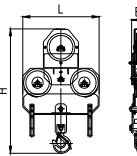
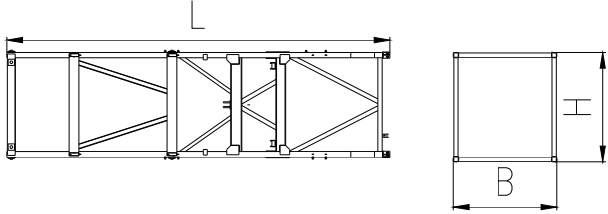
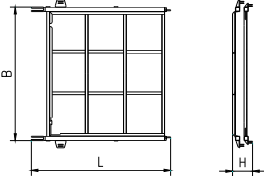
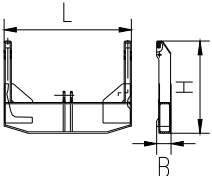
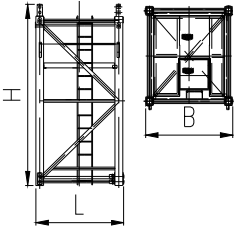
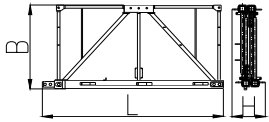
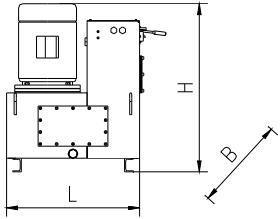
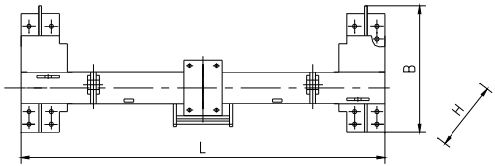
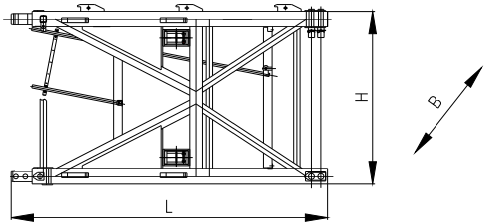
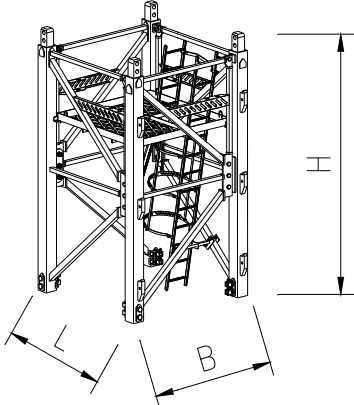


No	Description		Sketch	L(m)	B(m)	H(m)	Weight Per piece(t)	Qty
13	变幅机构	Luffing Mechanism		2.63	1.69	1.52	3.51	1
14	起升机构	Hoisting Mechanism		2.75	1.95	1.60	3.01	1
15	变幅滑轮组	Luffing Pulley block		1.14	0.61	0.58	0.12	1
16	平衡臂结构	Counter Jib Structure		8.12	1.98	0.86	4.00	1
17	平衡臂下撑杆	Counter Jib down Stay Bar		4.20	1.82	0.28	0.65	1
18	吊钩	Hook block		1.99	0.21	1.23	0.67	1

2、下装 Bottom parts

No	Description		Sketch	L(m)	B(m)	H(m)	Weight Per piece(t)	Qty
1	爬升架	Climbing		9.71	2.76	3.1	4.94	1
2	引进平台	Mounting Platform		2.60	2.55	0.38	0.42	1
3	顶升挂板	Climbing Hanged beam		2.09	0.24	1.35	0.53	1
4	基础节	Base Section		2.29	2.21	4.02	2.53	1

No	Description		Sketch	L(m)	B(m)	H(m)	Weight Per piece(t)	Qty
5	标准节	Tower Section		4.15	2.25	0.70	2.76	11*
6	泵站	Pump		0.66	0.45	1	0.35	1
7	内爬框架	Internal climbing frame		2.9	0.785	0.775	0.98	6
8	内爬基节	Internal climbing base tower section		4.015	2.19	2.43	5.058	1

No	Description		Sketch	L(m)	B(m)	H(m)	Weight Per piece(t)	Qty
9	标准节总成	Section Assembly		2.42	2.22	4.02	2.85	11*

* 标准节数量按最长臂长计算 The number of tower section is only for maximum jib.